

## DSP255II Waterproof Column Speaker

### Features



- Outdoor design, waterproof unit, suit for outdoor and indoor.
- Small and elegant appearance, suit for all kind of decoration place.
- With 3 "Gray polypropylene drum paper full frequency cone-type bass unit and 2" treble unit combination, frequency response wide, bass level clear, treble clear and bright.
- With power tap, independently adjustable, multiple choices of input mode.
- Solid aluminum alloy box, not easy to deformation and rust.
- E type pure copper wire audio transformer to ensure fidelity of audio output.
- Equipped with multifunctional mounting bracket, convenient installation

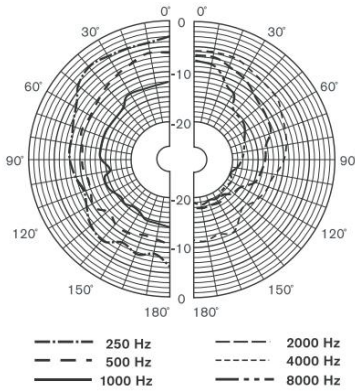
### Description

The speaker DSP255II is made of aluminum alloy housing, with a fine, with surface UV Antiultraviolet paint treatment, with a strong textured appearance and capable of providing professional levels.

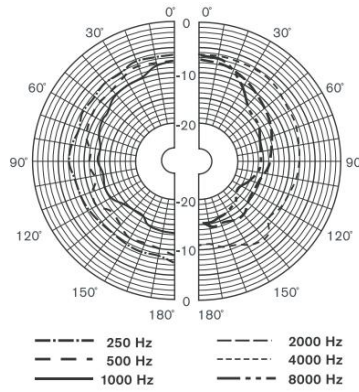
The sound performance can meet the demanding requirements of the site.

### Specification

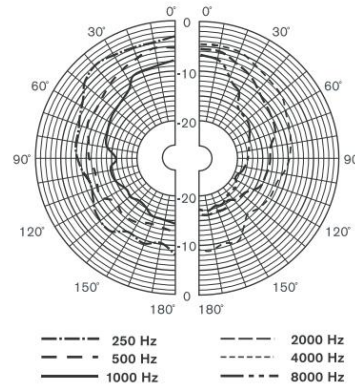
| Model                 | DSP255 II     | DSP455 II     |
|-----------------------|---------------|---------------|
| Speaker unit          | 3"×2, 1"×1    | 3"×4, 2"×1    |
| Rated power ( RMS )   | 30W           | 60W           |
| Freq.Response         | 140Hz-20kHz   | 140Hz-20kHz   |
| Sensitivity ( 1m,1W ) | 87±3dB        | 89±3dB        |
| Max SPL ( 1m )        | 102±3dB       | 107±3dB       |
| Dimension ( L×W×H )   | 376×109×102mm | 606×109×102mm |
| Net weight            | 3kg           | 4kg           |



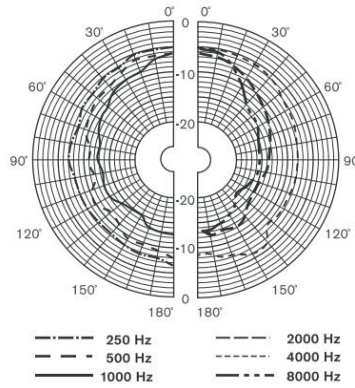
DSP255II Vertical directivity pattern



DSP255II Horizontal directional pattern

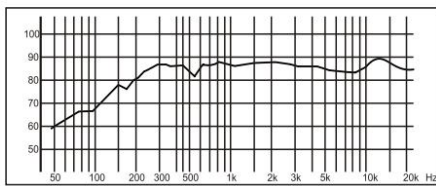


DSP455II Vertical directivity pattern

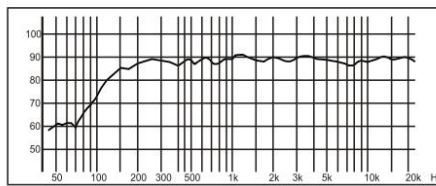


DSP455II Horizontal directional pattern

DSP255II Freq.Response  
(dB SPL, 1W, 1m)

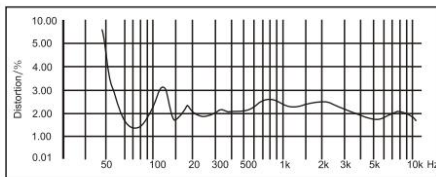


DSP455II Freq.Response  
(dB SPL, 1W, 1m)



DSP255II Distortion

(THD < 5% 1W, 1m, 100Hz-10kHz)



DSP455II Distortion

(THD < 5% 1W, 1m, 100Hz-10kHz)

