

DSP8063B 30W Wall Mount Speaker with Power Tap

Features



- Input 70V/100V/8Ω
- Wide Freq.Resp.:80Hz-20KHz
- Max SPL:105±2dB
- High sensitivity:90±2dB
- Wall mount type loudspeaker
- Metal grille and ABS enclosure of black color
- Equipped with hanging holes for mounting convenient

Description

The DSP8063 is a wall mount speaker built-in 70v/100v transformer. The 70v/100v transmission is realized in a high-voltage, low-current mode, which makes longer distance transmission and parallel connection of multiple loudspeakers possible.

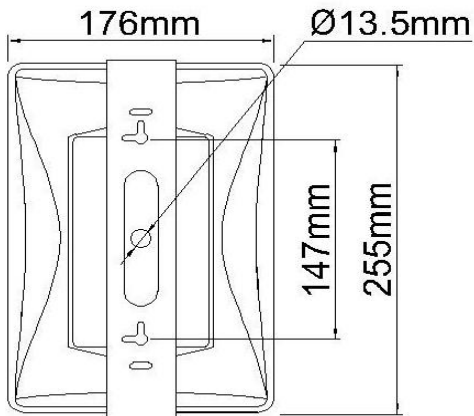
Metal grille and ABS enclosure of black color, long-term durability, never out of shape and fading; high sensitivity, clear and sonorous sound. Easy and secure wall mount installation by hanging holes.

It is ideal choice for industrial and commercial applications in hotel, school, office and factory where background music and paging is needed.

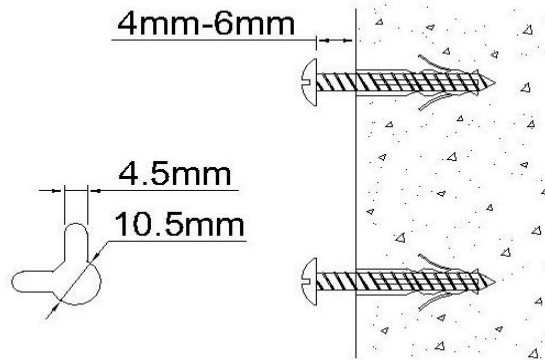
Specification

Model	DSP8063	
Speaker Unit	5"×1, 1"×1	
Rated Power	30W	
Input	Constant voltage	70/100V
	Constant resistance	8Ω
Sensitivity(1M,1W)	90±2dB	
Max SPL(1M)	105±2dB	
Freq. Resp	80Hz-20kHz	
Weight	3.2 kg	
Dimension(H×W×D)	280×194×185mm	

Hanging hole



Nail For Mounting



Installation

1. Fit two Ø4mm nails on wall where it is needed to install a speaker system.
2. Connect audio broadcasting wire to the speaker according to the table below.

Terminal	Power	Input Voltage	Constant voltage		Constant resistance
			70V	100V	8Ω
Red--White	30W	-	30W		
	15W	30W			
	8W	15W			
	5W	8W			
	2.5W	5W			

Note:

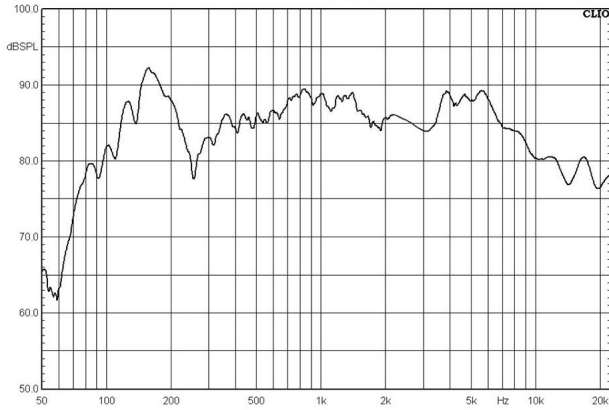
When the audio line is the constant voltage, prohibit the knob to the 8 Ω .

Prohibit to adjust to “—” under state at 100V cause speaker damage!

3. Position the speaker, then adjust the direction of it and examine whether it is steady.

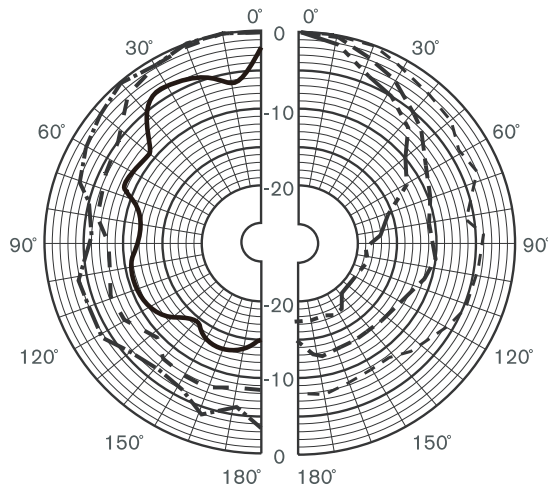
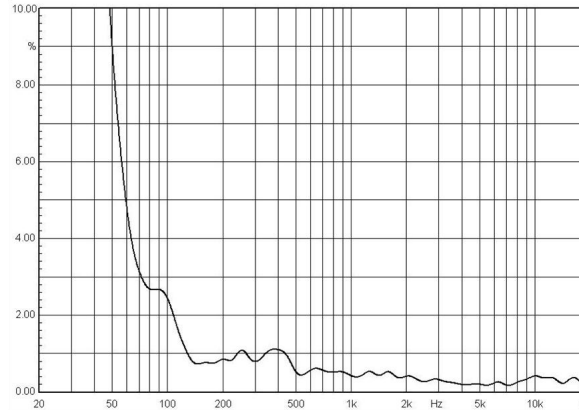
FREQ. RESPONSE

(dB SPL, 1W, 1m)



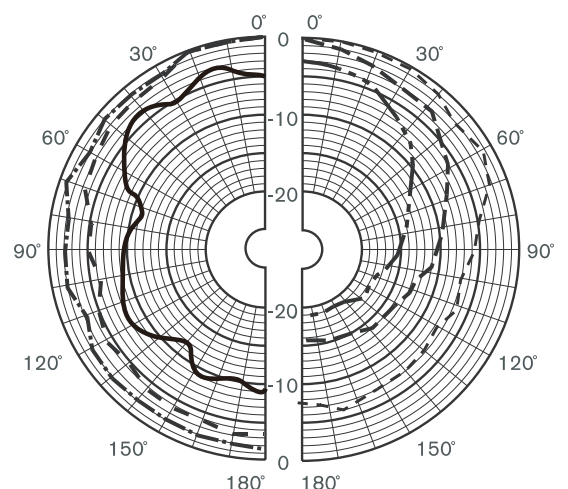
DISTORTION

(THD<1.5% 1W, 1m, 200Hz~12kHz)



— · — · —	250 Hz	— · — · —	2000 Hz
— · — · —	500 Hz	— · — · —	4000 Hz
— · — · —	1000 Hz	— · — · —	8000 Hz

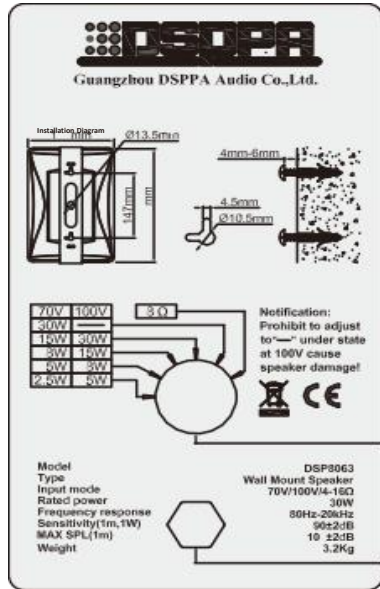
DSP8063
Vertical directivity pattern



— · — · —	250 Hz	— · — · —	2000 Hz
— · — · —	500 Hz	— · — · —	4000 Hz
— · — · —	1000 Hz	— · — · —	8000 Hz

DSP8063
Horizontal directivity pattern

DSP8063B Power adjustment knob



Audio line interface

Power adjustable knob

Power	Voltage	Constant voltage		Constant resistance
		70V	100V	8Ω
Terminal	Red---white	30W	—	30W
		15W	30W	
		8W	15W	
		5W	8W	
		2.5W	5W	

Notification:

When the audio line is the constant voltage, prohibit the knob to the 8Ω. Prohibit to adjust to “—” under state at 100V cause speaker damage!