

MP260U 60W 6 Zones USB/SD/FM Mixer Amplifier



Features

- Built-in MP3/Tuner/USB/SD card inputs
- 6 zones output with pre-amplifier, 6 channels @ 100V outputs
- 3 LINE& 2 MIC inputs with individual volume control
- Mute function, easy to insert priority broadcast
- Each zone with independent switch; bass and treble controlled
- With level indicators and 5-unit LED display
- Output short-circuit protection

Description

MP260U is a 60W 6 channel USB/SD/FM Mixer Amplifier for public address. It integrates 3 audio sources-USB, SD and FM and 6 channels. It has 2 microphone inputs and 3 extra aux inputs, and Mic 1 is provided with priority and muting function. Bass and treble controls and master volume control are provided. Complete protection includes short circuit and thermal protection, current limiter and overloading.

This amplifier can be applied to different cases, such as supermarket, classroom, bank, church, school, hotel, restaurant, theme centers and shopping center, etc.

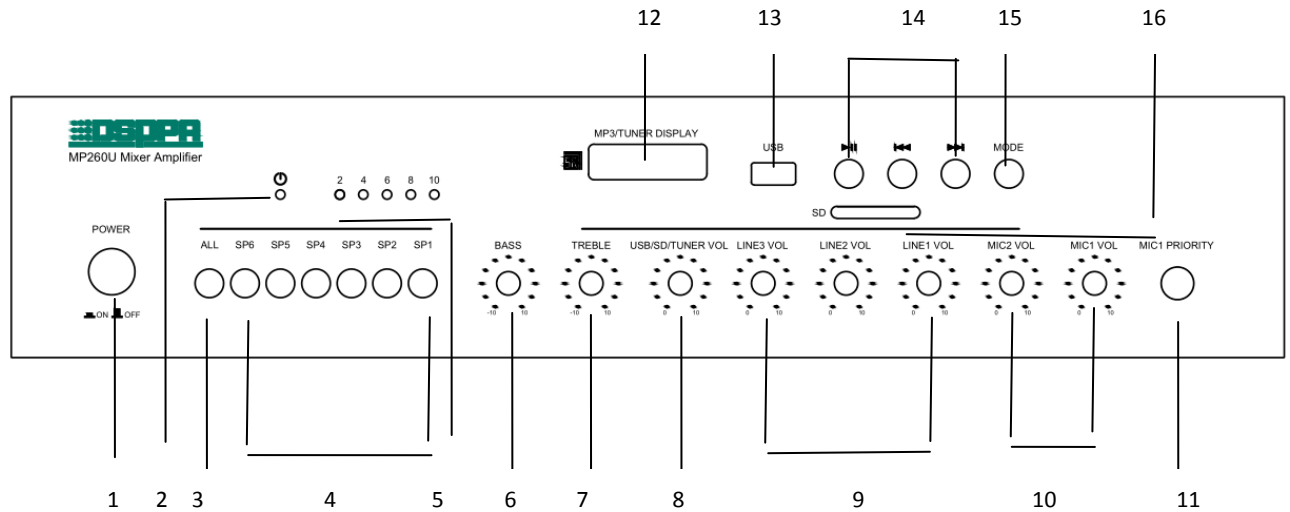
SPECIFICATION

Model	MP260U
Rated output	60W
Output regulation	Less than 3dB
Speaker output	100V
AUX output	0dBV
Input Sensitivity	Mic1,2 : 3mV(\pm 0.5mV) unbalanced
	Line 1,2,3 : 300mV(\pm 30mV) unbalanced
Frequency response	65Hz-20kHz (\pm 3dB)
Distortion	Less than 1% at 1kHz , 1/3 rated output voltage
The ratio of signal to noise ratio	Mic1 and 2 : Bigger than 80dB
	Line 1、 2 and 3 Bigger than 80dB
Tone	Bass : \pm 12dB at 100Hz
	Treble : \pm 12dB at 10kHz
FM	87.5MHz-108.0MHz
MP3 Input Sensitivity	230-280mV
Protection	AC fuse; DC voltage; overload; short-circuit.
Muting function	Mic1 overrides other input signals with 0 ~ -30dB attenuation
Power requirements	AC 220-240V/50-60Hz
Power consumption	100W
Dimensions	430×280×88mm
Gross weight	8.5kg
Net weight	7.2kg

Specifications are subject to change without notice

2. Description of Appearance

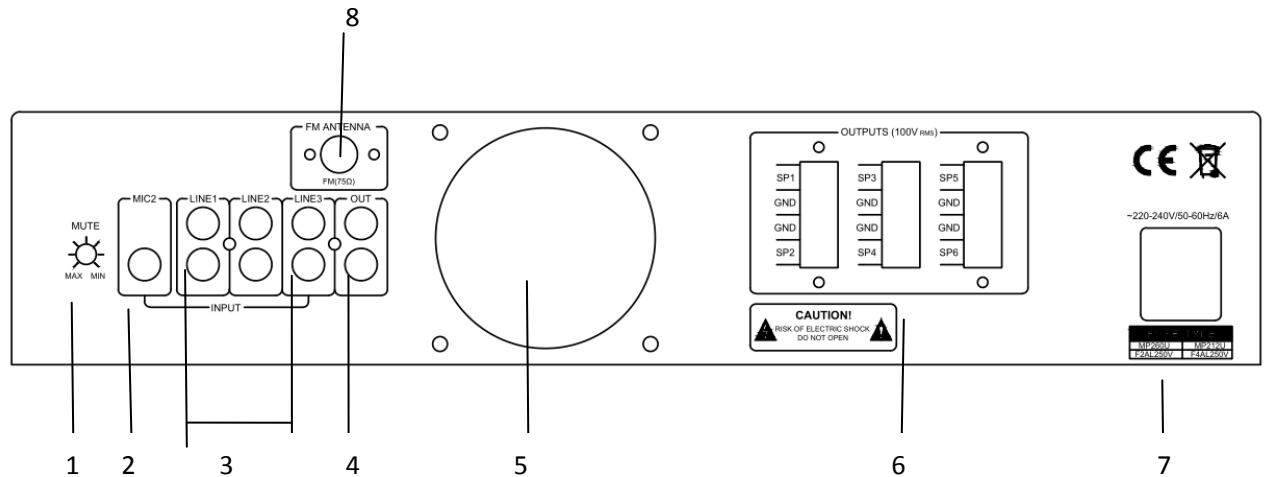
2.1 Description of front panel



1. Power switch (power indicator lighting as ON state) for main power.
2. LED power indicator
For main power.
3. Zone ALL ON button
4. Zone button of six
5. LED level meter
Indicate output level.
6. Bass control
Adjust bass response.
7. Treble control
Adjust treble response.
8. MP3/SD/TUNER output volume control
9. Line volume control
Adjust Line input volume.
10. Mic volume control
Adjust microphone volume.
11. Mic1 input jack
Connect to microphone of unbalanced 30-600Ω with 1/4" phone plug. The muting function is activated while the signal is sent to Mic 1.
12. MP3/TUNER Display
13. MP3 USB input jack
14. MP3/TUNER Player control button
15. Sound of output selector button
16. MP3 SD jack

NOTE:When all the five elements (+10dB) of the LED level meter remain lit, it indicates that the sound is distorted. In such case, adjust each volume controlling knob, until LED element 4 (+8dB) and LED element 5 (+10dB) shall flashing.

2.2 Description of rear panel



1. Mute control
Adjust muting function.
2. Mic2 input
Connect to the microphones at unbalanced 30-600 Ω with 1/4 "phone plug. The signals from Mic2 be muted by the signal from Mic1.
3. Line 1 input, Line 2 input & Line 3 input
Connect to linear source equipment.
4. Line output
Connect a recorder
5. Fan Exhaust Window
6. 6 Zone Output terminals
Connect to speakers.
7. AC power connector
Connect to AC power source.
8. FM Antenna

Note:When connecting to speakers, use one pair of speaker output terminals only.

3.Connection Diagram

