

Tiandy



TC-C34LQ Spec:I3W/A/E/Y/M/H/2.8-12mm/V4.2

4MP LPR Bullet Camera

Pro Series



KEY FEATURES

- Suitable for parking lot entrance and exit
- Built-in deep learning LPR algorithm
- Support license plate recognition
- 1/1.8"CMOS
- 4MP(2560x1440)
- 2.8-12mm
- 120dB
- S+265、H.265、 H.264、 Motion JPEG
- Built-in MicroSD card slot,up to 512 GB
- LPR distance 2-6m
- IP67



Tiandy Technologies Co.,Ltd.

Email: sales@tiandy.com

Tel: +86-22-58596065

Website: en.tiandy.com

Fax: +86-22-58596048



SPECIFICATIONS

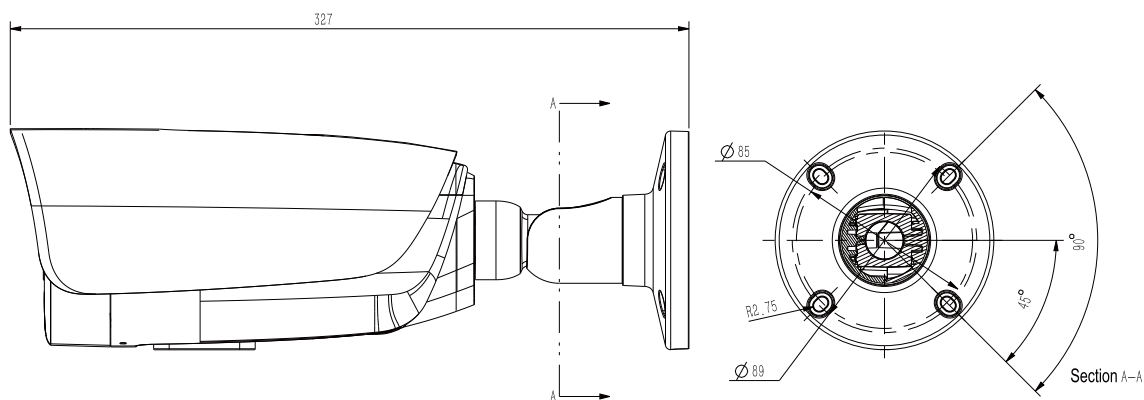
Camera	
Image Sensor	1/1.8"
Signal System	PAL/NTSC
Min. Illumination	Color:0.002Lux@(F1.3,AGC ON),B/W:0Lux with IR
Shutter Time	1s to 1/100,000s
Day & Night	Dual IR Cut Filter with Auto Switch
WDR	120dB
Angle Adjustment	N/A
Lens	
Lens Type	Motorized
Focal Length	2.8~12mm
Lens Mount	Φ16.7
Aperture Range	F1.3~F2.2
LPR Distance	2-6m
Field of View	Horizontal field of view:106.9°~48.7°;Vertical field of view:57.2°~27.4°;Diagonal field of view:141.6°~55.5°
Illuminator	
IR LEDs	4
IR Distance	Up to 30m
Wavelength	850nm
White LEDs	3
Compression Standard	
Video Compression	S+ 265/H.265/H.264B/H.264M/H.264H/Motion JPEG
Video Bit Rate	32kpbs~16Mpbs
Audio Compression	G.711A/G.711U/ADPCM_D/AAC_LC
Audio Sampling Rate	8kHz/32kHz/48kHz
Image	
Max. Resolution	4MP(2560x1440)
Main Stream	PAL:25fps(2560x1440,2304x1296,1920x1080,1280x720) NTSC:30fps(2560x1440,2304x1296,1920x1080,1280x720)
Sub Stream	PAL:25fps(704x576, 704x288, 352x288, 640x360) NTSC:30fps(704x480, 704x240, 352x240, 640x360)
Third Stream	PAL:25fps (1920x1080,1280x720,704X576, 704X288, 352X288) NTSC30fps (1920x1080,1280x720,704X480, 704X240, 352X240)
Image Setting	Saturation,brightness,contrast,sharpness,adjustable by client software or web browser
Image Enhancement	BLC/3D DNR/HLC
ROI	Yes,8 regions
OSD	16*16/32*32/48*48/96*96, adaptable size,Letters Such as Week,Date,Time,Total 2 Regions
Picture Overlay	Yes
Privacy Mask	Yes,4 regions
Defog	Yes

Tiandy

Feature	
LPR Function	Built-in deep learning LPR algorithm
Vehicle Detection	Vehicle video detection, Srtange license plate detection, License plate library comparison
Detection model	Supports Video detection or loop detection
Image shot	Background image、 Vehicle image and Plate image
Rate	Typical scene, speed ≤ 30 km/h, License plate comprehensive capture rate $\geq 99\%$, The license plate comprehensive recognition rate $\geq 95\%$;
White/black list	Total 10000 records database
Alarm Trigger	Voltage Alarm, Disk Full, Disk R/W Error, IP Address Conflict, MAC Address Conflict, FTP Server Exception ,Event Input, Event Output
Video Analytics	Human/Vehicle Classification, Tripwire, Double Tripwire, Perimeter
Early Warning(EW)	Yes
Network	
ANR	Yes
Protocols	HTTP, HTTPS, TCP/IP, UDP, UPnP, ICMP, IGMP, SNMP, DHCP, DNS, DDNS, EasyDDNS, NTP, SMTP, 802.1X, QoS, IPv4, IPv6, PPPOE, SSH, Unicast, Multicast, RTCP, ARP
System Compatibility	ONVIF(Profile S/T/G), CGI, MILSTONE
Remote Connection	2
Client	Easy7, EasyLive
Web	IE, Firefox, Edge, Safari, Chrome
Interface	
Communication Interface	1 RJ45 10M/ 100M self adaptive Ethernet port
Audio I/O	1/1
Alarm I/O	2/1
Built-In Speaker	Yes
Reset Button	Yes
On-board storage	Built-in MicroSD card slot, up to 512 GB
General	
Web Client Language	8 languages Simplified Chinese/English/Spanish/Italian/Polish/French/Vietnamese/German
Operating Conditions	-35°C~65°C, 0~95%RH
Power Supply	DC12V, POE(802.3at)
Power Consumption	14W
Protection	IP67
Heater	N/A
Boundary Dimensions	330(L)115(W)107(H)mm
Package Dimensions	355(L)145(W)160(H)mm
GrossWeight	1.83kg
NetWeight	1.48kg

* Listed resolutions are only selectable options. It does not mean that all streams can work at their maximum resolution at the same time.

DIMENSIONS (Unit: mm)



ACCESSORIES



A36
Pole Mount



A35
Corner Mount



A22
Junction Box

DISTRIBUTED BY



Tiandy Technologies Co.,Ltd.

Email: sales@tiandy.com
Website: en.tiandy.com

Tel: +86-22-58596178
Fax: +86-22-58596048