

Tiandy



TC-C35MS Spec:I3/A/E/Y/M/S/H/2.7-13.5mm/V4.0 5MP Motorized Starlight IR Dome Camera

Pro Series



KEY FEATURES

- Metal Housing
- Motorized Lens 2.7-13.5mm
- Up to 2880x1620@30fps
- S+265/H.265/H.264/M-JPEG
- Min. illumination Color: 0.002Lux@F1.6
- Smart IR, IR Range: 30m
- Support tripwire and perimeter
- Support Face Capture Mode
- Support Human/Vehicle Classification
- Built-in Mic, support max 512G Micro SD Card
- Audio I/O 1/1, Alarm I/O 1/1
- Operating Conditions -35°C~65°C, 0~95% RH
- DC12V,POE
- IP66,IK10



Tiandy Technologies Co.,Ltd.

Email: sales@tiandy.com

Tel: +86-22-58596065

Website: en.tiandy.com

Fax: +86-22-58596048



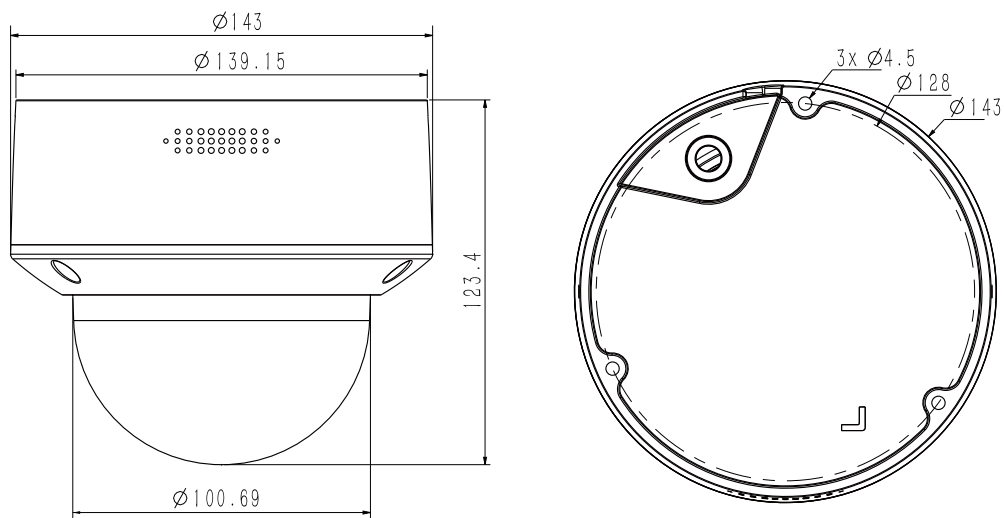
SPECIFICATIONS

| Camera | |
|----------------------|---|
| Image Sensor | 1/2.7"CMOS |
| Min. Illumination | Color:0.002Lux@(F1.6,AGC ON),B/W:0Lux with IR |
| Shutter Time | 1s-1/100000s |
| Day&Night | IR-cut filter with auto switch (ICR) |
| WDR | 120dB |
| S/N | >39dB |
| Angle Adjustment | 0-345°;0-90°;0-350° |
| Lens | |
| Lens Type | Motorized |
| Focal Length | 2.7-13.5mm |
| Lens Mount | Φ14 |
| Aperture Range | F1.6,Fixed |
| Field of View | 98.3°-32.2°(H);54.9°-18.2°(V);112.6°-37°(D) |
| DORI Distance | Detect:56m-240m Observe:22m-95m Recognize:11m-48m Identify:5.6m-24m |
| Illuminator | |
| IR LEDs | 18 |
| IR Distance | 30m |
| Wavelength | 850nm |
| White LEDs | N/A |
| Whitelight Distance | N/A |
| Compression Standard | |
| Video Compression | S+265/H.265/H.264B/H.264M/H.264H/Motion JPEG |
| Video Bit Rate | 32k-16Mbps |
| Audio Compression | G.711A/G.711U/ADPCM_D/AAC_LC |
| Audio Sampling Rate | 8kHz/32kHz/48kHz |
| Image | |
| Max. Resolution | 2880x1620@30fps |
| Main Stream | PAL:25fps(2880x1620,2688x1520,2560x1440,2304x1296) 50fps(1920x1080,1280x720) NTSC:30fps(2880x1620,2688x1520,2560x1440,2304x1296) 60fps(1920x1080,1280x720) |
| Sub Stream | PAL:25fps(704x576,704x288,352x288,640x360) NTSC:30fps(704x480,704x240,352x240,640x360) |
| Third Stream | PAL:25fps(1280x720,704x576,640x360,704x288,352x288) NTSC:30fps(1280x720,704x480,640x360,704x240,352x240) |
| BLC | Yes |
| HLC | Yes |
| AGC | Yes |
| 3D DNR | Yes |
| White Balance | Auto/Semi-auto/Manual/Sunny/Natural light/Warm light/Sodium lamp/Incandescent lamp/Locked white balance |
| ROI | 8 regions |
| Corridor mode | Yes |
| EIS | N/A |
| OSD | 5regions;16*16/32*32/48*48/64*64/96*96 |
| Picture Overlay | 1 region |
| Privacy Mask | 4 regions |
| Defog | Yes |

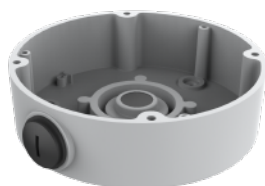


| Feature | |
|--------------------------------------|---|
| Alarm Trigger | Motion Detection;Mask Alarm;Voltage Alarm;Disk Full;Disk R/W Error;IP Address Conflict;MAC Address Conflict;FTP Server Exception ;Event Input, Event Output |
| Video Analytics | Human/Vehicle Classification;Tripwire;Perimeter;Video Abnormal;Audio Abnormal |
| Rules of behavior analyse in 1 scene | 8 |
| Early Warning(EW) | N/A |
| Face Mode | Face Capture |
| Face Detection Performance | Detects up to 8 faces at the same scene |
| Linkage Method | send email;trigger sound;trigger recording;trigger capture;notify surveillance center |
| Network | |
| ANR | ANR |
| Protocols | HTTP;HTTPS;TCP/IP;UDP;UPnP;ICMP;IGMP;SNMP;DHCP;DNS;DDNS;EasyDDNS;NTP;SMTP;SSL;802.1X;QoS;IPv4;IPv6;PPPOE;Unicast;Multicast;RTCP;ARP;RTP;SRTP;RTSP;FTP;SFTP;NAS |
| System Compatibility | ONVIF Profile S/T/G/M;CGI;Milstone;RTMP |
| Remote Connection | ≤2 |
| Client | Easy7 Smart Client |
| Moblie Client | EasyLive Plus |
| Web | IE10+;Firefox52+;Edge89+;Safari11+;Chrome57+ |
| Interface | |
| Communication Interface | 1 RJ45 10M/ 100M self adaptive Ethernet port |
| Audio I/O | 1channel in;1channel out |
| Alarm I/O | 1channel in,3mA,3.3VDC;1channel out,30mA,12VDC |
| Built-In Mic | Yes |
| Built-In Speaker | N/A |
| Reset Button | Yes(built-in) |
| On-board storage | Built-in Micro SD card slot, up to 512 GB |
| Additional interfaces | N/A |
| General | |
| Web Client Language | 19languages Simple Chinese/Traditional Chinese/English/Spanish/Korean/Italian/Turkish/ Russian/Thai/French/Polish/Dutch/Hebrew/Arabic/Vietnamese/German/Ukrainian/ Portuguese/Albanian |
| Operating Temperature | -35°C-65°C |
| Operating Humidity | 0-95%(non-condensing) |
| Storage Temperature | -35°C-65°C |
| Storage Humidity | 0-95%(non-condensing) |
| Power Supply | DC12V±25%,MAX 8W;POE 802.3at,MAX 9W |
| Protection | Surge protection 2000V;Lightning proof 6000V;IP66;IK10 |
| Boundary Dimensions | 143(L)143(W)124(H)mm |
| Package Dimensions | 250(L)180(W)175(H)mm |
| GrossWeight | 1.16kg |
| NetWeight | 0.88kg |

DIMENSIONS (Unit: mm)



ACCESSORIES



TC-P54BM Spec:V3



A28



Tiandy Technologies Co.,Ltd.

Email: sales@tiandy.com
Website: en.tiandy.com

Tel: +86-22-58596065
Fax: +86-22-58596048