

cards.

④.(not in programming status)Read management card
=>read the blank card (keep reading)Read the management
card twice.

3. Delete user cards

①.Press 2 => input 8-digital number of the card =>press #
=>long press # to quit

②.Press 2 =>swiping card (one or more cards) =>press #
=>long press # to quit

③.Press 2 =>input 0000 =>press # =>long press # to
quit.TO delete all users.

④.(not in programming status)Read the management card
twice =>read the cards need to be deleted(keep
reading),read the management card again=>finished.

4. Set open model

①.Open with reading a valid card : press 3 => input 00 =>
press # =>long press # to quit.

②.Open with reading a valid card plus password : press 3
=>input01 => press # =>long press # to quit.

③. Open with reading a valid card or password: press
3=>input 02 press #=>long press # to quit.

5.Set door open time (initial 3s)

Press 4=>input XX=>press #=>long press# to quit

5

6.Modify password (original 8888)

Press 5=>input new password with 4-digital numbers
=>press#=>input again =>press #=>long press # to quit

7.Set to be a carder reader

Press9=>1=>02=>#,then turn off the electric and turn on
again.If you want to back to the normal mode,you should
initialize the controller. (see PartVI)

8.User data copy (need MC1 module)

①Copy the data from the controller to the module

Press 9=>5=>01=>#

②Import the data from the module to device:

Press 9=>5=>02=>#

During the process green and red light flicker,long buzzer
when finished.

VI、 Initialization of the door controller

1.Turn off the electricity, hold down the Reset button .

2.Turn on the electricity, hold down the Reset button until a
buzzing.Initialization complete.

STATE: After the buzzing ,the machine enter the Using
State.

NOTE: Initialization can only change the password to the
default password:12345,user password :8888,other data will
not be changed.

6

SINGLE-DOOR ACCESS CONTROLLER

User manual

Please follow the instructions strictly while using it

1

I. Product character

working voltage: DC 12V

unlock current: ≤ 1.5 A

static current: ≤ 60 mA

available card capacity: 800PCS

Maximum card-read distance: 7cm

RF card type: EM1D(125khz) or Mifare card(13.56mhz)

II. Install instruction

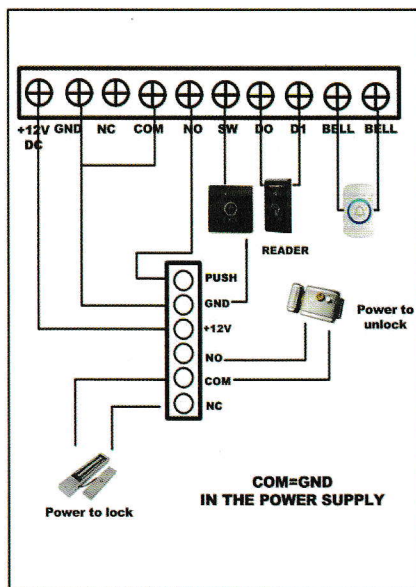
Unpack cross-screw which fixes face plate and bottom board. Then take off bottom board and install on the entrance side wall

Warning: please ensure to turn off power before connecting lines and switch on power after all cables being connected and please be sure that power voltage is 12v and that anode and cathode are in place!

III. Wiring instruction

We don't suggest the customer wire the locks directly to the controller, because the current when electric rim lock open is very high, our device can't afford it. So we suggest you wire the lock to the power supply, it demand the power supply has relay. (If no such power supply, the electric rim lock's cathode to NO, electric magnetic lock and electric drop bolt's cathode to NC. This would decrease the device's life cycle.)

2



3

IV. Management card

ADD Management card: Turn off the power and hold down the RESET button then turn the power on, if the red and the blue lights flashing, read a card into normal using status, this card is Management card, you can use it to add or delete user cards.

V. Settings

The original management password is 12345.

Enter programming:

Press #green light flash>input the password># red light always on means the machine has entered the programming. (All the following settings are in programming status)

1. Change management password

Programming state=>0=>password=>#=>repeat =>#=>long press# to quit

2. Add user cards

①. Press 1=>add the blank card (or keep on adding cards)
=>press # =>long press # to quit

②. Press 1 =>input 8-digital number of the card =>press #
=>long press# to quit

③. Set the machine to automatic add card mod set the open mode to 303 users can enter the door with memorizing the

4