

One-door Access Controller

User Manual V2.4

1. Specifications:

1.1 Technical parameters:

NO	Item	Value
1	Operating voltage	DC 12V±10%
2	Operating current	< 100mA
3	Dimensions	120×78×22(mm)
4	Weight	110g
5	Ambient temperature	0℃—60℃
6	Relative humidity	20%—80%
7	Storage	1000users
8	Card type	EM(ID) card
9	Card reading distance	(IC card for options) 1—15CM

1.2 Factory Default:

Programming Password	123456
Common Access Password	None
Relay Unlock output	5 Seconds
Open mode	Card or Access Password Access Password include Private Access Password (PIN) and Common Access Password
Security mode	OFF
Backlight (For options)	Auto
W26 port (For options)	Input

1.3 Light and Sound indicates:

Light: red and green

Light Description	Indicates
Red light flash every 1 sec. (Slow flash)	Standby state
Green light flash every 0.5sec. (Fast flash)	Pending further action
Red light is always ON	Programming state
Green light is always ON within Open Time	Unlocking state

Sound: Buzz

Sound Description	Indicates
1 short buzz	Valid input
3 short buzz	Invalid input
1 long buzz	Programming success
Continuous long buzz	Restoring factory programming passwords

2. Installations Guide:

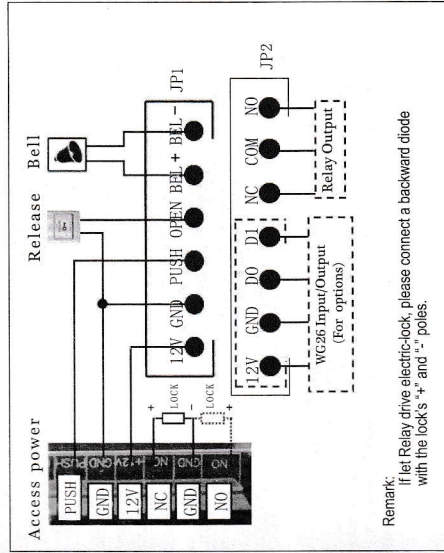
JP1 terminal:

NO	Mark	Color	Function
1	+12V	Red	Power+
2	GND	Black	Power-
3	PUSH	BLUE	Low level output
4	OPEN	Yellow	Door Release
5	BEL+	Grey	High level Input
6	BEL-	White	Voltage output

JP2 terminal:

NO	Mark	Color	Function	Remark
1	+12V	Red	Power+	
2	GND	Black	Power-	
3	DATA0	Green	WG DATA0	For options
4	DATA1	White	WG DATA1	
5	NC	Brown	Relay NC output	
6	COM	Blue	Relay Com output	
7	NO	Purple	Relay NO output	

Wiring diagram:



Remark:
If let Relay drive electric lock, please connect a backward diode with the lock's "+" and "-" poles.

3. Programming Guide
3.1. Detailed Programming Guide:

Programming Password Default: 123456, all password can be 3-6 digits

Basic Function	Purpose	Operations		Instructions
		#	#	
Basic Function	Change Programming Password	0	new Programming Password #	If Programming Password lost, perform 3.2 to reset to Factory Default (123456).
	Add user card	1	read card #	If add multi cards, read cards continuously
	Set Common Access Password	21	new Common Access Password #	Common Access Password is only one. Open method: Common Access Password #
	Delete all users	40	0000 #	Delete all cards and PIN except Common Access Password
	Delete user by read card	41	read card #	If delete multi cards, read cards continuously
	Add Private Access Password(PIN)	22	PIN #	PIN can be more. Open method: PIN #
	Add card by input card No.	23	input card No. #	Card Qty is 10-digit or 8-digit, machine auto-identify
	Add multi-card by input card No. zone	24	input start card No. card Qty #	Card Qty is 4-digit (If one-time add twenty cards, input 0020)
	Add "card +PIN"	3	read card PIN #	If modify PIN, see 3.5
	Delete user by input User ID No.	42	input User ID No. #	About User ID No. see 3.4
Expand Function	Delete user by input card No.	43	input card No. #	Card No. is 10-digit or 8-digit, machine auto-identify
	Delete all PIN users	44	input PIN #	Use for PIN users (Do not include Card users and Card +PIN users)
	Change Open time	45	1111 #	XX can be 2-digit, and the max. is 99. If input 00, the signal output time is 0.2 Secs.
	Set Open mode	5	XX #	XX can be 01(only Card) / 02 (Card or Access Password) / 03 (Card+PIN)
	Reader setting (For options)	6	04 #	The machine can be used for reader(W26 output)
	Security function Setting	7	XX #	XX can be 01/02/Security function OFF / ON and 03/04(Anti-dismantle Alarm OFF / ON)
	Anti-dismantle Alarm setting(For options)	8	XX #	System would be locked for 5 Minutes. If continue to read illegal cards or input wrong Access Password for 10 times.
	Backlight setting(For options)	8	99 #	XX can be 0102/03 (Normal ON / Normal OFF / Auto)
	Reset Factory Default	91	read MAC read MDC #	Except Programming Password and Manager Card
	Set Manager Card	92	read MAC read MDC #	First read card is Manager Add Card and Second read card is Manager Delete Card.
Cancel Manager Card			MAC: Manager Add Card, MDC: Manager Delete Card	

3.2 To reset to Factory Programming Password (123456)

- Turn off power and connect bin 283 of RST(S1).
- Turn on power and buzzer gives 3 long buzz with green light flash fast. If need to set Manager Card, now read two empty cards first one as Manager Add Card and Second one as Manager Delete Card with red light flashing and continuous short buzz.
- Turn off power, disconnect bin283 and connect bin 1&2 of RST.
- Turn on power again.

3.3 How to use Manager Card - MAC&MDC

- To add a card user in standby mode: read MAC read new cards read MAC
- To delete a card user in standby mode: read MDC read registered cards
- To delete all users in standby mode: read MDC read MAC read MDC

Remark: User cards can be added or deleted continuously.

3.4 User ID No. explain

User ID is auto-generating 4-digit number started at 0001. The number increases with adding user one by one and ignores deleting user. Common Access Password has no ID.

3.5 How to change PIN (When open mode: card+ PIN)

After reading card and input corresponding PIN to open the door, within 5 seconds, long press [new PIN] until the green light flash fast, then input [new PIN] [new PIN] [new PIN] [new PIN] new PIN changed successfully with a long buzz.