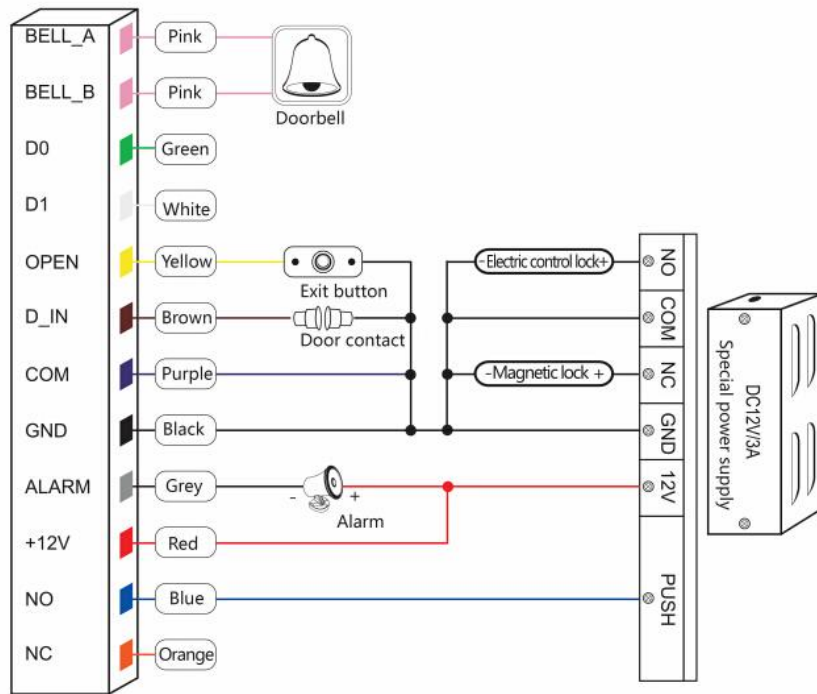
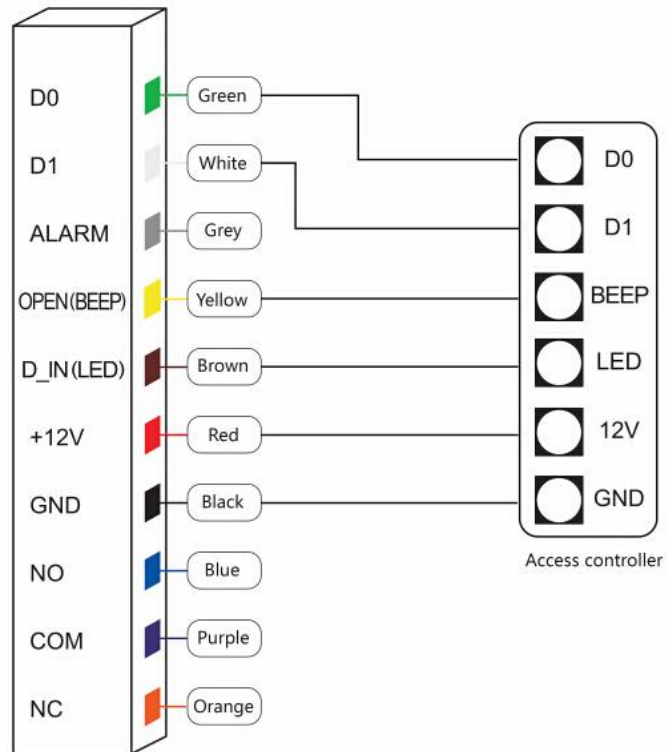


Special power supply diagram

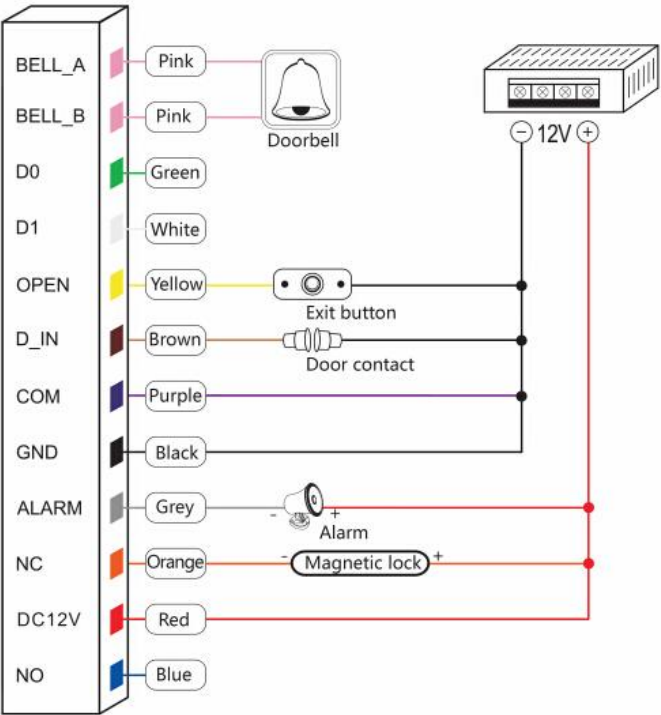


Note: The doorbell, door contact and alarm function are optional.

Reader mode:



Common power supply diagram



Note: The doorbell, door contact and alarm function are optional.